

Fierce by name, gentle by nature

The Cup Brush Sealer Sander's impressive size and robust construction show its ability to perform both the most delicate of sealer-sanding and general sanding tasks.

The front brush heads rotate clockwise, while the rear set rotate anti-clockwise, gently removing fibres and paint nibs, while the whole head carriage oscillates back and forth across the material, ensuring the Cup Brush Sealer Sander produces consistent, even results every time.

Thanks to the rotating air-jets at the rear of the Cup Brush Sealer Sander, sanded material comes out of the conveyor free of dust and debris, ready for spraying.

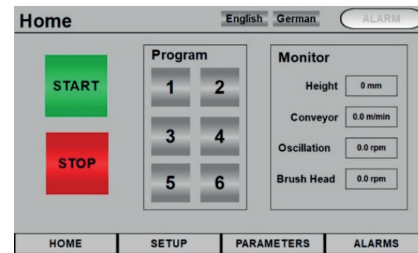
Activated by sensors on the in-feed of the conveyor belt, they spin at high speed, providing cleaning air across the whole panel while it passes through the machine.



Easy to use

The in-built PLC control makes operating the Cup Brush Sealer Sander effortless. All the parameters are fully adjustable while the Cup Brush Sealer Sander is in operation, allowing you to fine tune your results on the fly.

The PLC can save up to 6 programs, allowing you to save your most frequently used settings.



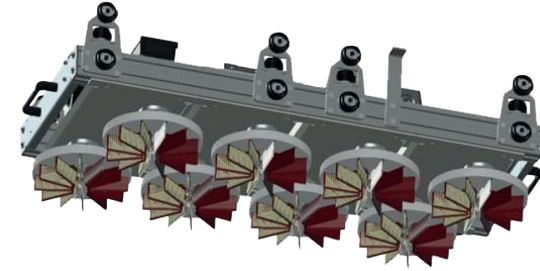
Easy to maintain

Our unique system of "Cup Brushes" that gives the machine its name, couldn't be simpler to maintain. The oscillating carriage just slides out of either side of the machine for easy access.

The brush heads are held on by one bolt, and the brushes simply slide in and out of the channels in the cup head.

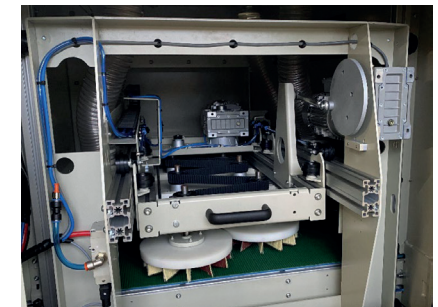


CUP BRUSH SEALER SANDER



► **New "low cost" solution to sanding and sealer sanding** of flat and profiled panels up to 74" wide. The Cup Brush Sealer Sander is fitted with rotating cup brushes, which oscillate from side to side. The machine features a strong, robust design with easy access to the sanding heads.

There is full electronic variable speed control of the brushes, head oscillation and conveyor speed, allowing you to switch between sanding and sealer sanding without changing the abrasive. Simply change the speed and RPM settings on the in-built PLC, which holds up to 6 different programs.



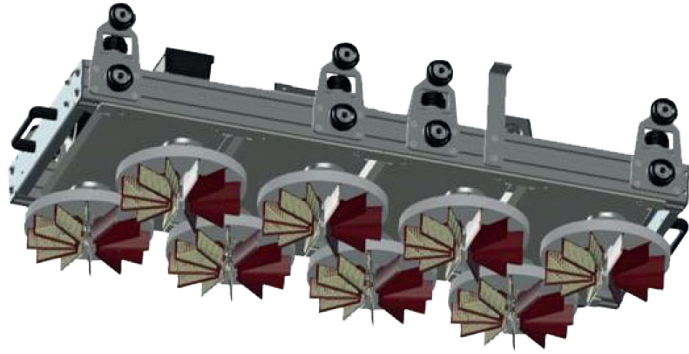
Ideal for sanding kitchen cabinet doors, window frames, furniture, wood profiles and much, much more!



ORDER TODAY!

- ✉ EMAIL SALES@GIBBSGROUPNA.COM
- ☎ TOLL FREE 877-785-0274
- 📱 MOBILE 770-842-2539





CUP BRUSH SEALER SANDER

Performance

Min. size panel:	4"x4"
Min. material thickness:	0.04"
Max. material thickness:	8"
Working height:	33"

Model	Working Width	Feed Speed	Brush RPM	Oscillation RPM
CB 700	27"	5-33ft/min.	100-700	20-60
CB 1000	40"	5-33ft/min.	100-700	20-60
CB 1300	51"	5-33ft/min.	100-700	20-60
CB 1600	62"	5-33ft/min.	100-700	20-60
CB 1900	74"	5-33ft/min.	100-700	20-60

Brush Head Specification

Diameter	10"
----------	-----

Model	No. of Brush Heads	Full Loading Qty. of Brush
CB 700	6	72
CB 1000	8	96
CB 1300	10	120
CB 1600	12	144
CB 1900	14	168

Electrical Requirements and Motors

Voltage:	230V, 3 phase, neutral & earth
Frequency:	60Hz
Amps:	20

Model	Main Drive Motor	Oscillation Motor	Raise/Lower Motor
CB 700	2 hp	3/4 hp	1/3 hp
CB 1000	2 hp	3/4 hp	1/3 hp
CB 1300	2 hp	3/4 hp	1/3 hp
CB 1600	2 x 2 hp	3/4 hp	1/3 hp
CB 1900	2 x 2 hp	3/4 hp	1/3 hp

Extraction Requirements

Model	No. of Dust Outlets	Required Extraction
CB 700	4 x 4"	CFM 1475
CB 1000	4 x 4"	CFM 1475
CB 1300	4 x 4"	CFM 2060
CB 1600	4 x 4"	CFM 2650
CB 1900	4 x 4"	CFM 3250

Overall Machine Size

Model	Width	Length	Height
CB 700	35"	75"	60"
CB 1000	65"	75"	60"
CB 1300	81"	75"	60"
CB 1600	92"	75"	60"
CB 1900	104"	75"	60"

Heavy Duty Upgrade

The HD upgrade adds an extra motor on the brush head unit, giving you the extra power to handle the toughest jobs. Coupled with wire brushes, a HD machine is perfect for distressing wood for a rustic look. Thanks to the 360° sanding from Cup Brush system, you can enhance the grain running in multiple directions on a 5-piece door in 1 pass.

ORDER TODAY!

✉ EMAIL SALES@GIBBSGROUPNA.COM

☎ TOLL FREE 877-785-0274

📱 MOBILE 770-842-2539

